

# OBSERV<sup>®</sup> 520

By Sylton<sup>®</sup> diagnostic systems

## User's Manual

- Read this manual before using the Sylton Observ<sup>®</sup>
- Store this manual safely for future usage.

Sylton<sup>®</sup> diagnostic systems and OBSERV<sup>®</sup> are registered trademarks of the Symae<sup>®</sup> technologies holding B.V. Patents granted and pending.  
Registered design.

Apple, iPad, iTunes are trademarks of Apple Inc., registered in the U.S. and other countries.



**Table of contents**

<b>Chapter 1. The Observ® 520</b>	<b>4</b>
1.1 Important safety warnings	4
1.2 Important usage warnings	4
1.3 Cleaning instructions	4
1.4 Device overview	6
1.5 Exchangeable visors	7
1.6 Polarized view visor	8
1.7 iPad visor	8
<b>Chapter 2. Initial preparation and setup</b>	<b>9</b>
2.1 Preparation and installation of the Observ®	9
2.2 Attaching the visors	11
2.3 Attaching and using the chin rest	11
2.4 Light shade	12
<b>Chapter 3. General instructions of the Observ®</b>	<b>13</b>
3.1 Setting up the device before the first usage	13
3.2 Using the Observ®	13
3.3 Using the control panel	14
3.4 Display states	15
3.5 Downloading the OBSERV 520 App from the App Store	17
<b>Chapter 4. Trouble shooting</b>	<b>18</b>
Appendix A Declaration of conformity Observ® 520	19

## Chapter 1. The Observ® 520

### 1.1 Important safety warnings

- **Do not use the device on people with an abnormal sensitivity to (UV) light (e.g. photophobia) or people with abnormally sensitive eyes (e.g. after cataract surgery) that may need to avoid any source of UV light.**
- **Eye discomfort warning:** Some people may experience eye strain and temporary discomfort. A temporary condition which is caused by the difficulty of the human eye to focus (squints) in low light environments.
- **No serviceable parts inside:** The device should be serviced by authorized personnel only. If the device doesn't operate satisfactory, please contact your distributor.
- **Do not touch the insides of the light and UV emitters!**

### 1.2 Important usage warnings

- Do not place the device on an unstable surface.
- Do not use the device in or near water.
- Do not allow liquids or foreign objects to enter the device. This could result in fire or electrical shock.
- Do not place the device under direct sunlight, near heating or cooling devices.
- Do not use the device in an area where humidity is high.
- Always use the supplied adapter to power the device.

### 1.3 Cleaning instructions

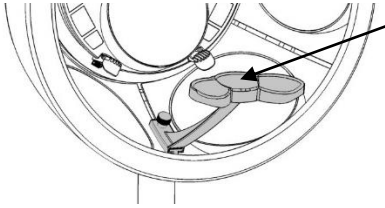
To clean the Observ® and accessories please follow the instructions below.

- Use a damp cloth for cleaning the outer housing and stand of the Observ®.
- The supplied microfiber cloth can be used to clean surfaces of the reflectors and client mirror.

#### **Important maintenance warnings!**

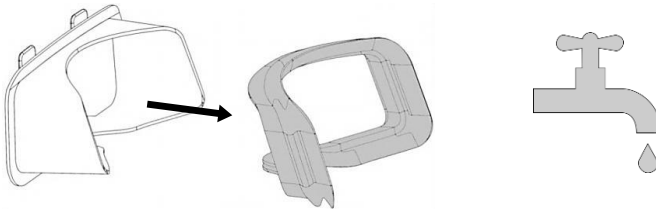
- **Never** clean the light emitters with any fluids!
- **Never** clean the device with abrasive cleaners or organic solvents like benzene, acetone or thinner.

### 1.3.1. Chin support



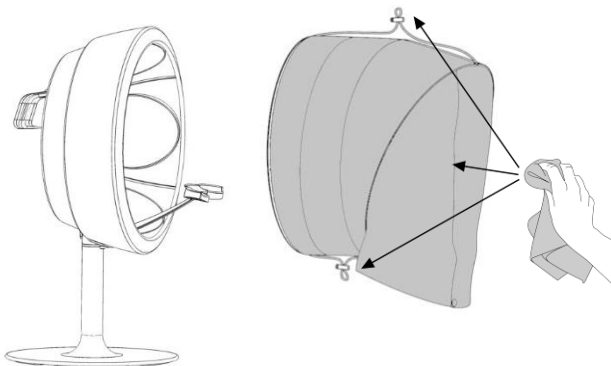
- When using the chin support, disinfect the pedestal with a soft moist medical disinfectant wipe (with a maximum of 70% isopropyl alcohol.)  
**Do not use on other surfaces!**

### 1.3.2. Visor



- Remove the rubber eye piece from the visor
- Use hand warm water with mild detergent to clean the visor.
- Rinse well after cleaning
- Make sure the rubber eye piece is dry before placing it back on the visor.

### 1.3.3. Light Shade



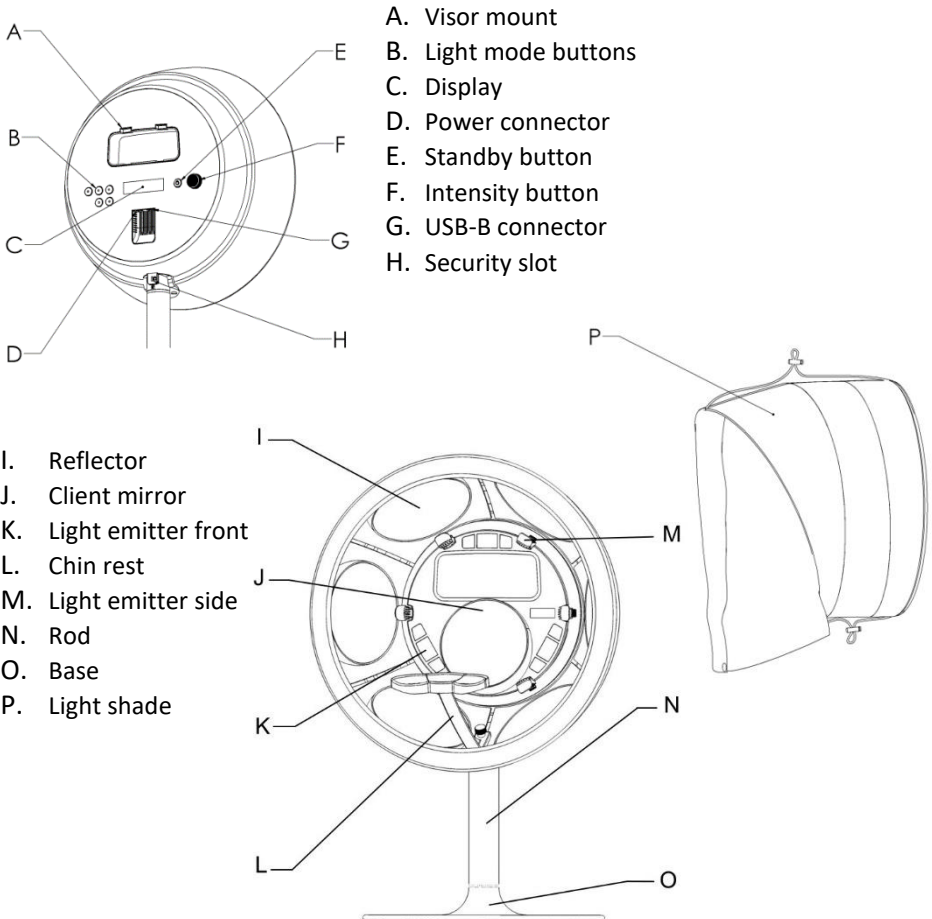
- Remove the Light Shade from the Observ®
- Use a damp cloth for cleaning the Light Shade.
- To clean tenacious stains use warm water on a cloth with a mild detergent.

**Important maintenance warnings!**

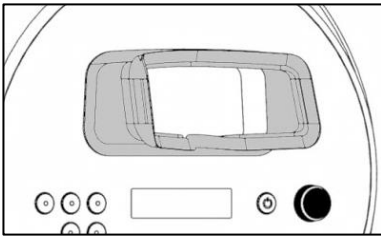
- **Never** wash the Light Shade in a machine.
- **Never** dry the Light Shade in a dryer.



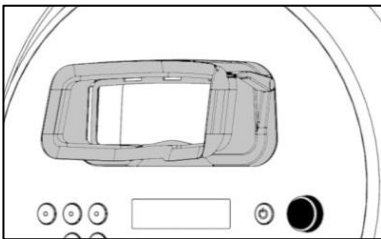
**1.4 Device overview**



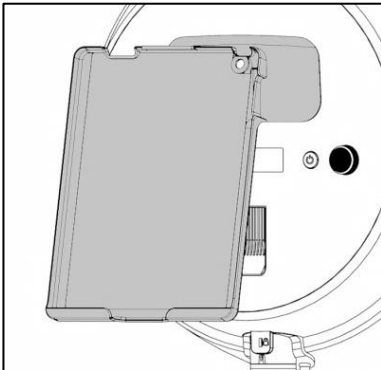
### 1.5 Exchangeable visors



1. Basic visor



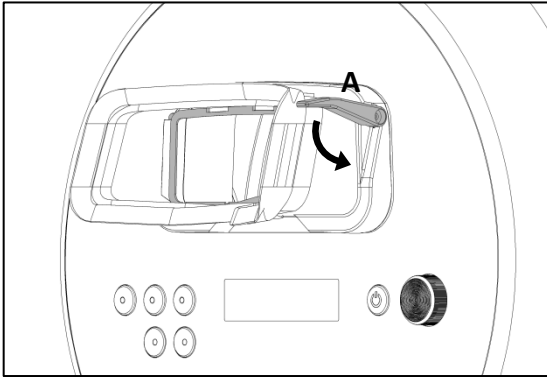
2. Polarization visor



3. iPad visor

### 1.6 Polarized view visor

Use the handle (A) to tilt the polarized screen in order to switch between normal view and cross/parallel polarized view. Lower the polarization screen when using the cross- and parallel light modes.



### 1.7 iPad visor

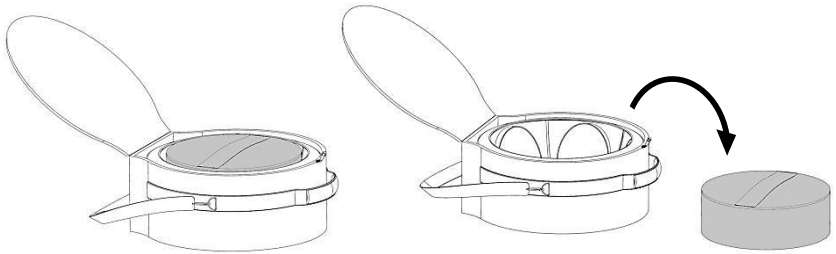
The iPad visor is placed in the same way as the other visors. Make sure you have installed the application for the iPad and the Bluetooth function is enabled. When you start the application it will automatically connect with the Observ® 520.

**Note:** Make sure that your iPad model is compatible with the supplied iPad holder. Contact your distributor regarding the availability of holders for other models.

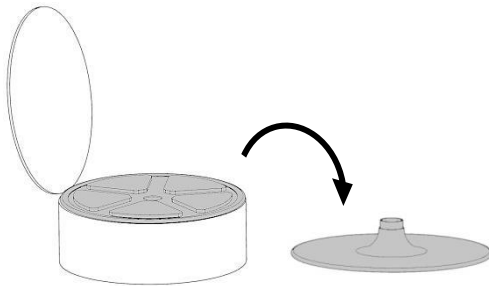
## Chapter 2. Initial preparation and setup

### 2.1 Preparation and installation of the Observ®

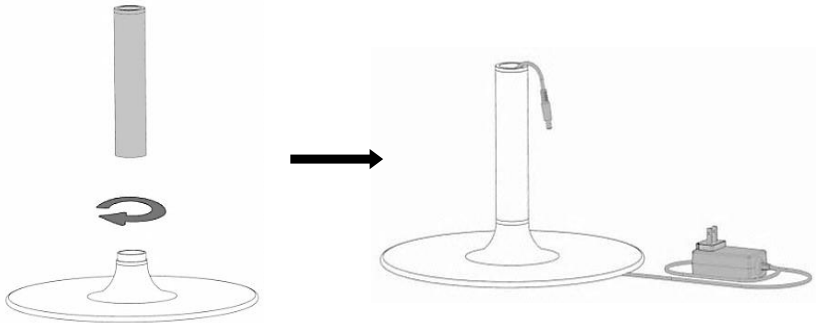
1. Open the bag and take the accessory bag out of the Observ®. The accessory bag contains the base and rod, the visors, the adapter, microfiber cloth and the chin rest.



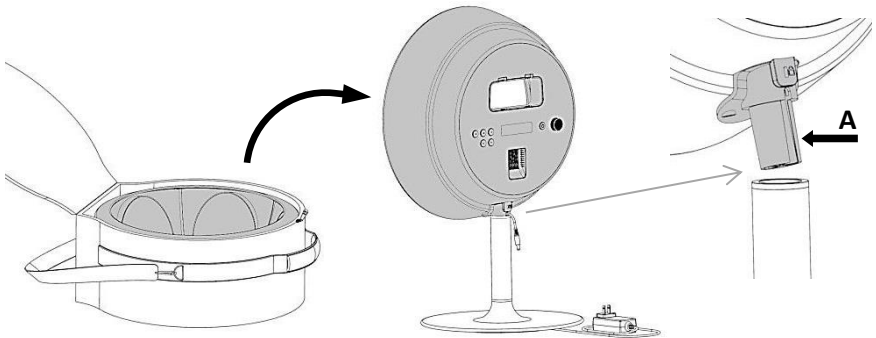
2. Open the accessory bag and take out the base of the Observ®. Place the base of the Observ® on a flat and stable underground.



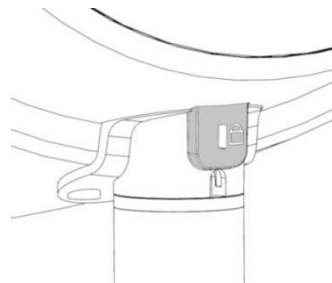
3. Screw the Rod on the base to create the stand of the Observ®. Attach the plug type, compatible with the mains socket of your country, to the adapter. Pull the cable of the adapter through the stand. The adapter automatically converts to the right voltage of your country.



4. Place the Observ® on the rod. Make sure the cable from the adapter is placed through the opening (A) of the connection part of the Observ®.



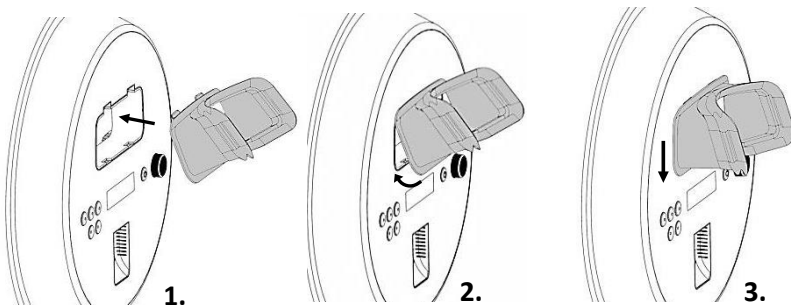
5. When desired, a universal anti-theft lock cable can be mounted inside the slotted hole.



### 1.1 Attaching the visors

Use the following steps to attach a visor correctly on the Observ®. As an example you can see the visor in 3 steps:

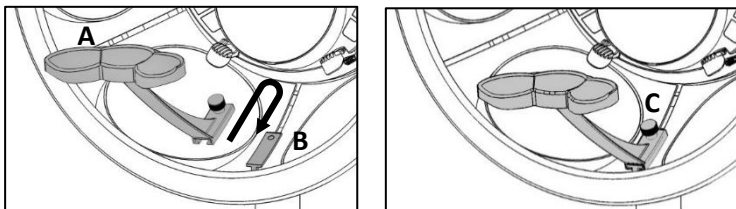
1. Move the visor towards the Observ®.
2. Hook the visor in the top openings of the Observ® and tilt the visor so the bottom hooks are attached to the Observ®.
3. Slide down the visor firmly until you hear a click.



### 1.2 Attaching and using the chin rest

The Observ® comes with a chin rest. The chin rest will position the face of the client inside the Observ® to optimize the view of the face for the beauty advisor.

To attach the chin rest simply slide the chin rest (A) over the mount (B) inside the Observ®. Slide the chin rest until it stops and secure it by tightening the screw (C).



**Note:** For optimal imaging results of the face using the iPad it is advised to use the chin rest. Instruct your client to rest the head level on the chin rest without tilting forward.

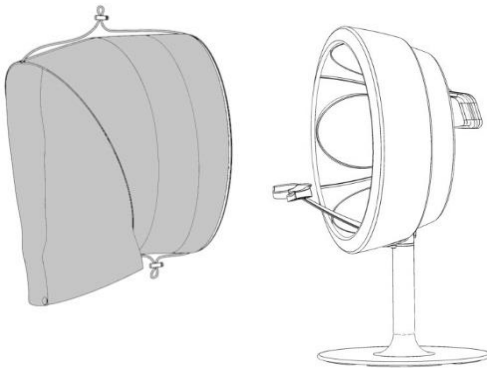
### 1.3 Light shade

For optimal usage of the Observ®, attach the Light shade to the front of the Observ®. The light shade blocks all interfering light coming from outside the Observ®. This way all skin concerns are clearly visible.

The light shade is easy to attach to the front of the Observ®. Make sure the light shade is positioned as shown in the drawing below. When the magnets in both the light shade and Observ® are aligned the lightshade will snap into place.

To optimize the blocking the light; ensure the client is sitting in front of the device with a straight back.

**Note:** Please make client aware of the chin rest when entering the light shade.



## Chapter 2. General instructions of the Observ®

### 2.1 Setting up the device before the first usage

The intensity of the light sources can be set at various intensities. When taking pictures it is advised to set the intensity of each light mode at 100% to obtain the clearest and crisp images. The base setting of the Wood's light is at the "0" setting.

When using the device in a consultation it is advised to level the intensity of all modes in such a way that from the perspective of the client the brightness appears the same. In this way the eyes of the clients do not need to readjust when the illumination modes are switched and the client's comfort is maintained. We advise to start with the following reference settings:

Daylight intensity	5%
True UV intensity	100%
Simulated Woods balance	0
Cross polarization	25%
Parallel polarization	25%

### 2.2 Using the Observ®

#### Performing an analysis:

Place the Observ® on a stable underground and turn on the device. Provide the possibility for the client to sit comfortable in front of the Observ® and the beauty advisor behind the device.

Ask the client to position their head into the light-shade and if available to place her chin on the chin rest while keeping the head level (without tilting forward)

When the client is in position please close the light-shade by crossing the drapes beneath the client's chin. The light-shade can be secured using the magnets.

The client can follow the analysis by looking in the mirror on the inside of the device.

If the client is wearing glasses allow them to view their skin for a short time then ask for the glasses to be removed. This will then give you an unobstructed view of the eye area.

Now the setup is ready to view your client's skin in the different light modes.

- \* When using the polarized light modes the client can be given the included polarization glasses to view their skin in both parallel and cross polarization modes.
- \*\* The Observ<sup>®</sup> 520 can be used in combination with specific iPad models. The 'Observ 520' App can be downloaded for free from the Apple<sup>®</sup> AppStore<sup>®</sup> and iTunes<sup>®</sup>.

## 2.3 Using the control panel



1. When power adapter is connected, the power button will turn yellow.
2. Press the POWER button to power on the device into standby mode, the power button will turn blue. To directly go to a lighting mode press a mode button.
3. Select a mode button:
  - a. DAYLIGHT, Daylight mode (full spectrum lighting)
  - b. UV, True UV mode
  - c. WOODS, Simulated Wood's mode
  - d. CROSS, Cross-Polarized mode\*
  - e. PARALLEL, Parallel-Polarized mode\*
4. When a mode is turned on. The INTENSITY button can be used to increase or decrease the intensity of the chosen mode. For your convenience, the device will remember the last value used in each mode:
  - a. DAYLIGHT, Daylight LED intensity
  - b. UV, True UV LED intensity

- c. WOODS, Wood's emission spectrum adjust
  - d. CROSS, Cross-Polarized LED intensity\*
  - e. PARALLEL, Parallel-Polarized LED intensity\*
5. Press the POWER button to return to standby mode. The device will beep.
  6. When in standby mode, the Observ<sup>®</sup> will auto power off in 4 minutes.
  7. When in a lighting mode, the Observ<sup>®</sup> will automatically return to the standby mode when the timer on the display is finished.

\* When using the cross- or parallel light modes, make sure the polarisation screen in the Polarized view visor is moved into place.

## 2.4 Display states

1. Standby mode:



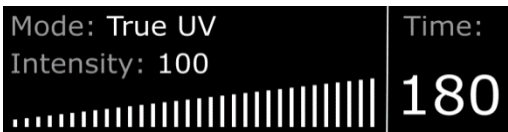
*The display shows the Observ<sup>®</sup> model, serial number and firmware version*

2. Daylight mode:



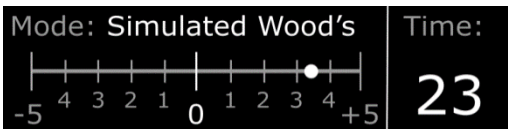
*The display shows the light mode, the intensity value and graphic, the time until standby*

3. True UVmode:



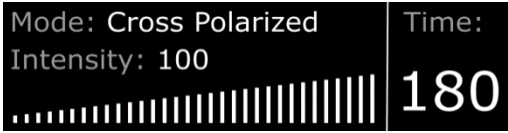
*The display shows the light mode, the intensity value and graphic, the time until standby*

4. Simulated Wood's mode:



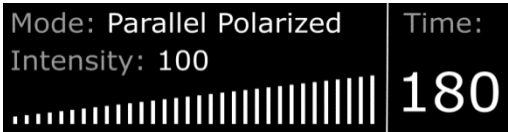
*The display shows the light mode, adjustment of the wood's emission spectrum, the time until standby*

5. Cross-Polarized mode:



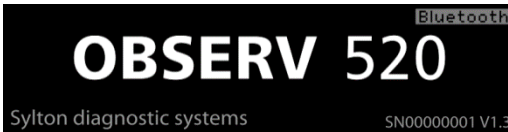
*The display shows the current mode, the intensity value and graphic, the time until standby*

6. Parallel-Polarized mode:



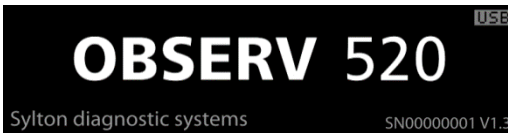
*The display shows the current mode, the intensity value and graphic, the time until standby*

7. Bluetooth mode:



*The display shows the Bluetooth mode when connected to an iPad. Once connected, the display will stay like this, despite the mode chosen on the iPad*

8. USB update mode:



*The display shows the USB update mode when connected to a PC through a USB cable.*

*Go on the internet to <http://Observ.sylton.com> for further information on how to update the Observ® with the latest firmware.*

## 2.5 Downloading the OBSERV 520 App from the App Store

The Observ® 520 works with an Observ app which can be downloaded from the App Store. Look for "OBSERV 520" in the App store and download the App. The Observ app will automatic connect with Observ® via Bluetooth.



*\* Function available on the 520 model. Observ App supports the iPad 3<sup>rd</sup> and 4<sup>th</sup> generation and iPad Air 1, iPad Air 2, iPad Pro 9.7 and iPad Pro 12.9. Please contact your distributor for availability of suitable iPad cradles.*

## Chapter 3. Trouble shooting

- **Device does not power on:**

Check if the device is connected with the provided power adapter which is connected to the power supply.

- **Device buttons do not respond when the device is turned on:**

Make sure the Observ® is not connected to USB or connected to a Bluetooth device. Stop the Observ 520 App on the iPad to regain manual control over the device.

- **Chin rest will not attach properly:**

Untighten the screw on the chin rest to make sure it can slide all the way down. When it is positioned all the way down, the screw can be tightened again.

- **iPad does not fit properly in visor:**

Check the face plate of the iPad visor to make sure you see which generations of iPad is compatible with the visor.

If problems keep recurring, or does the product does not work as specified, stop using the device and contact your distributor.

## Appendix A

# Declaration of Conformity

(according to ISO/IEC Guide 22 and EN 45014)

**Manufacturer's Name:** InnoFaith beauty sciences B.V.

**Manufacturer's Address:** Esp 266  
5633 AC  
The Netherlands

*declares that this product:*

**Product Name:** OBSERV®

**Model Name(s):** OBSERV 520

**Product options:** None

*conforms to the following standards:*

**Safety:** IEC 60950-1:2006 – Part 1 General Requirements  
EN 62471:2008 Photobiological safety of lamps and lamp systems

**EMC:** EN 301 489-01 v1.8.1(2008) / EN 301 489-17 v2.1.1 (2009)  
EN 55022:2011  
EN 55024:2010

**SRD :** EN 300 328 v1.7.1 (2006)

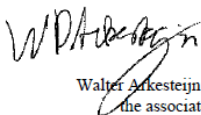
**RoHS :** 2011/65/EU

**Supplementary Information:**

*"The product complies with the requirements of the  
Low Voltage Directive 73/23/EEC and 93/68/EEC  
and R&TTE directive 99/5/EC and EMC directive 2004/108/EC  
and artificial optical radiation directive 2006/25/EC"*

**Manufacturer's Contact:** InnoFaith beauty sciences B.V.  
Director under the associates of the Symae technologies holding B.V.  
Esp 266  
5633 AC Eindhoven  
The Netherlands

I, the undersigned, hereby declare that the product(s)  
specified above conforms to the listed directives and  
standards



Signature

Walter Arkesteijn, Director under  
the associates of the Symae  
technologies holding B.V.  
19<sup>th</sup> November 2013

P  
A  
T  
E  
N  
T  
N  
O  
T  
I  
C  
E

# **SYLTON**<sup>®</sup>

diagnostic systems

[www.sylton.com](http://www.sylton.com)

729-926-0 (EN)

Sylton<sup>®</sup> diagnostic systems and OBSERV<sup>®</sup> are registered trademarks of the Symae<sup>®</sup> technologies holding B.V. Patents granted and pending.  
Registered design.

Apple, iPad, iTunes are trademarks of Apple Inc., registered in the U.S. and other countries.